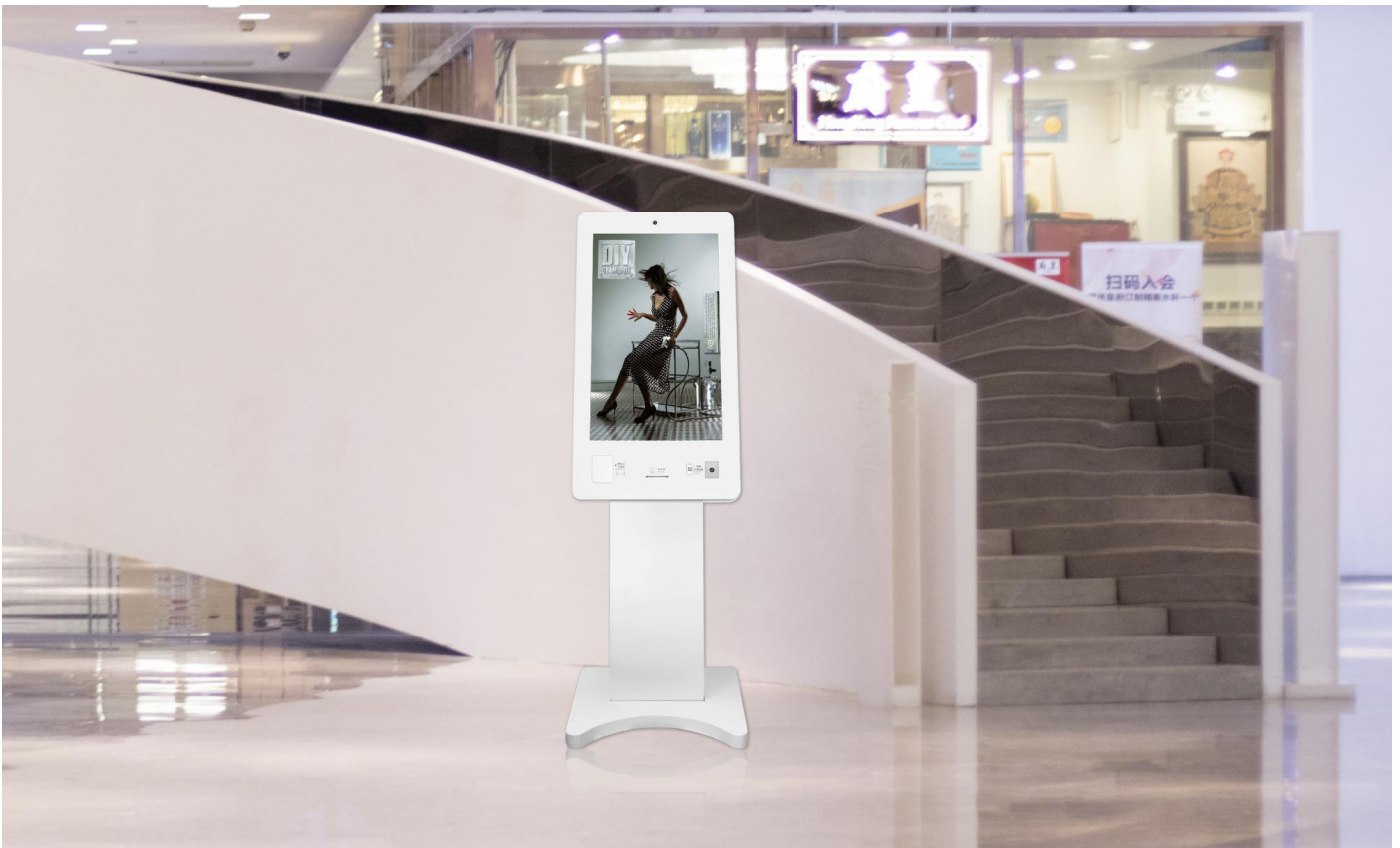


YXD32P-AWT

32inch Indoor
Floor Standing
LCD Interactive Kiosk
(Customized Functions Optional)



Shenzhen Yaxunda LCD Display Equipment Co.,Ltd

| | |
|----------------|----------------------------|
| Panel Size | 32inch |
| Model No. | YXD32PAWT |
| Standard Touch | 10 points capacitive touch |

LCD specification

| | |
|----------------|-------------|
| Active Area | 698×392 |
| Contrast ratio | 1400:1 |
| Dot Pitch | 0.12 * 0.36 |
| Resolution | 1920*1080 |
| Brightness | 350nits |
| Color | 16.7M |
| Viewing angle | 178/178 |
| LED backlight | Yes |
| Response time | 8ms |
| Life | 50000(hrs) |

Power

| | |
|-----------------------|----------------------------|
| Power supply | AC110-240V 50-60Hz |
| Operation temperature | -20 +50℃ (no condensation) |
| Operation humidity | 5%-95% (no condensation) |

Customized Functions (Optional)

Capacitive Touch

| | |
|-------------------------|--------------|
| Touch Points | 10 points |
| Transmission rate | >90% |
| Resolution | 4096*4096 |
| Minimum Touch Dimension | Surround 3mm |
| Response Speed | <10Ms |
| Surface hardness | Mohs 7 |
| Scan Rate | 50 scans / S |

Built-in Camera

| | |
|-------------|--------------------|
| Resolution | 1920*1080 |
| Sensitivity | 4600mV/Lux-sec |
| Pixel Size | 3 μ M*3 μ M |
| Interface | USB 2.0 High Speed |
| Voltage | DC5V |
| Current | 100-150mW (VGA) |

QR Scanner

Shenzhen Yaxunda LCD Display Equipment Co.,Ltd

| | |
|-----------------------------|--|
| Dimensions | 65mmX61.5mmX29mm |
| Light Source | illumination: 5600K LED |
| Field of View | 115° (H) x 90° (V) |
| Roll / Pitch / Yaw | 360° , ±65° , ±60° |
| Print Contrast: | 20% minimum reflective difference |
| 1-D | UPC/EAN, UPC/EAN with supplementals, Bookland EAN, ISSN, UCC Coupon Extended Code, Code128, GS1-128, ISBT 128, Code 39, Code 39 Full ASCII, Trioptic Code 39, Code 32, Code 93, Code11, Matrix 2 of 5, Interleaved 2 of 5, Discrete 2 of 5, Codabar, MSI, Chinese 2 of 5, GS1 DataBar variants, Korean 3 of 5, ISBT Concat |
| 2-D | PDF417, MicroPDF417, Composite Codes,Data Matrix, Maxicode, QR Code, MicroQR, Aztec |
| DOF | 20milQR:0~50mm,13milUPC:0~45mm |
| Minimum Resolution | 5 mil Code39 |
| Interfaces Supported | USB, RS232 |

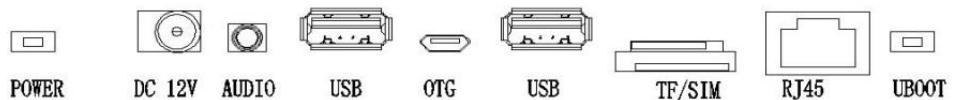
Printer

| | |
|--------------------|------------------------|
| Type | Thermal Printer |
| Paper Width | 58mm |
| Print Width | 48mm |
| Resolution | 203DPI |
| Print Speed | 50mm/s |

Hardware Specification

| | |
|---------------------|---|
| CPU | RK3288 Quad Core Main Frequency 2.0GHz |
| Memory | 2GB |
| Nand flash | 16GB |
| Storage port | USB, SD card, SATA port hard disk storage |
| OS | Android 5.1 |
| WiFi | Yes, inbuild WiFi (802.11b/g/n); |
| 4G | Optional to add(including GPS) |
| Output | HDMI, VGA, LVDS |
| Input | USB*4, Micro SD*1, RJ45*1, SATA*1, Audiox1 |

Interface



System function

| | |
|------------------------|--|
| Support video | MPEG1/MPEG2/MPEG4/AVI/VOB/MOV/WMV/DIVX/RM/RMVB, support super HD 2160P video |
| Support picture | JPG/JPEG/PNG/BMP |
| Support TXT | TXT/WORD/EXCEL/PDF |

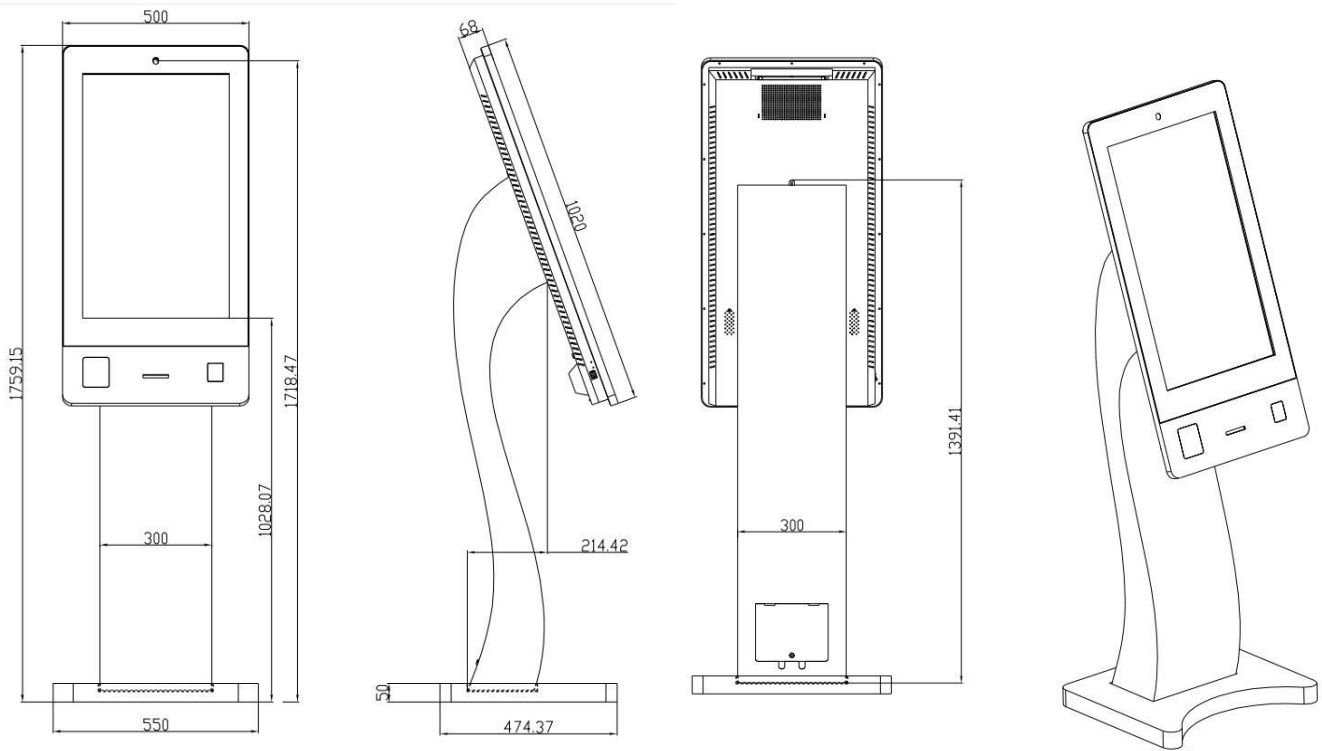
Shenzhen Yaxunda LCD Display Equipment Co.,Ltd

| | |
|------------------------|---|
| Support Website | HTML/ASP/JSP/PHP |
| Support RSS | Internet RSS title and text, flip over/page turning |
| Long-distance control | monitoring the terminal display image in real time |
| Long-distance wake up | Wake up the off terminal end by the current network |
| Timer | Set time on/off auto |
| Image rotate | support 90° ,180° ,270° image rotate |
| Software upgrade | Support upgrade software by USB disk |

Structure

| | |
|------------------------------|--|
| Color | White |
| Speaker | 2 built-in speakers (10w) |
| Power | 55W |
| Product Size(mm) | 755*471*61 |
| Net Weight | 46kg |
| Conternt Management Software | Freely provided for Android version |
| Install method | Wall Mount / Hanging Bracket(Optional) |

Draw



Pictures

Shenzhen Yaxunda LCD Display Equipment Co.,Ltd



Packing Pictures

Honeycomb Carton:

Wooden Case

Pallet:

